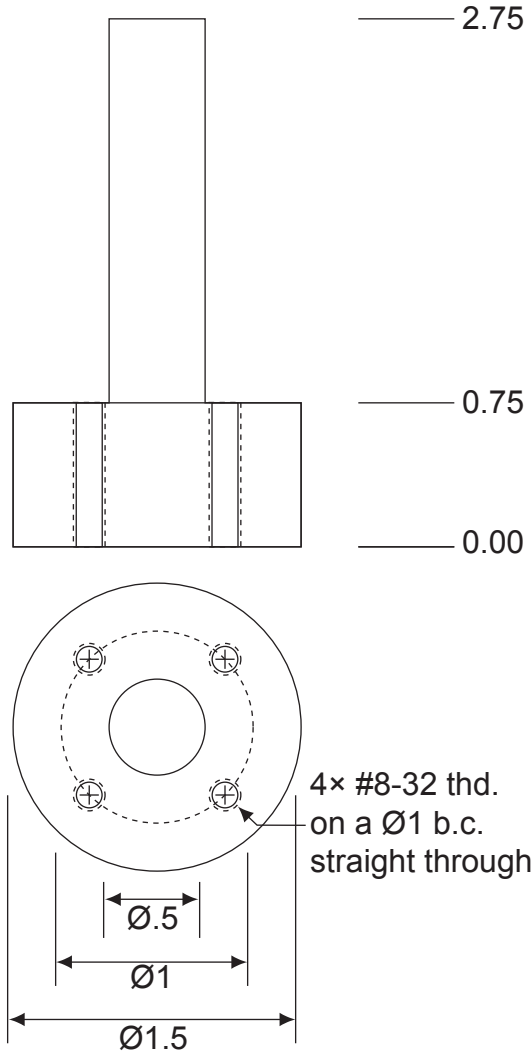


441

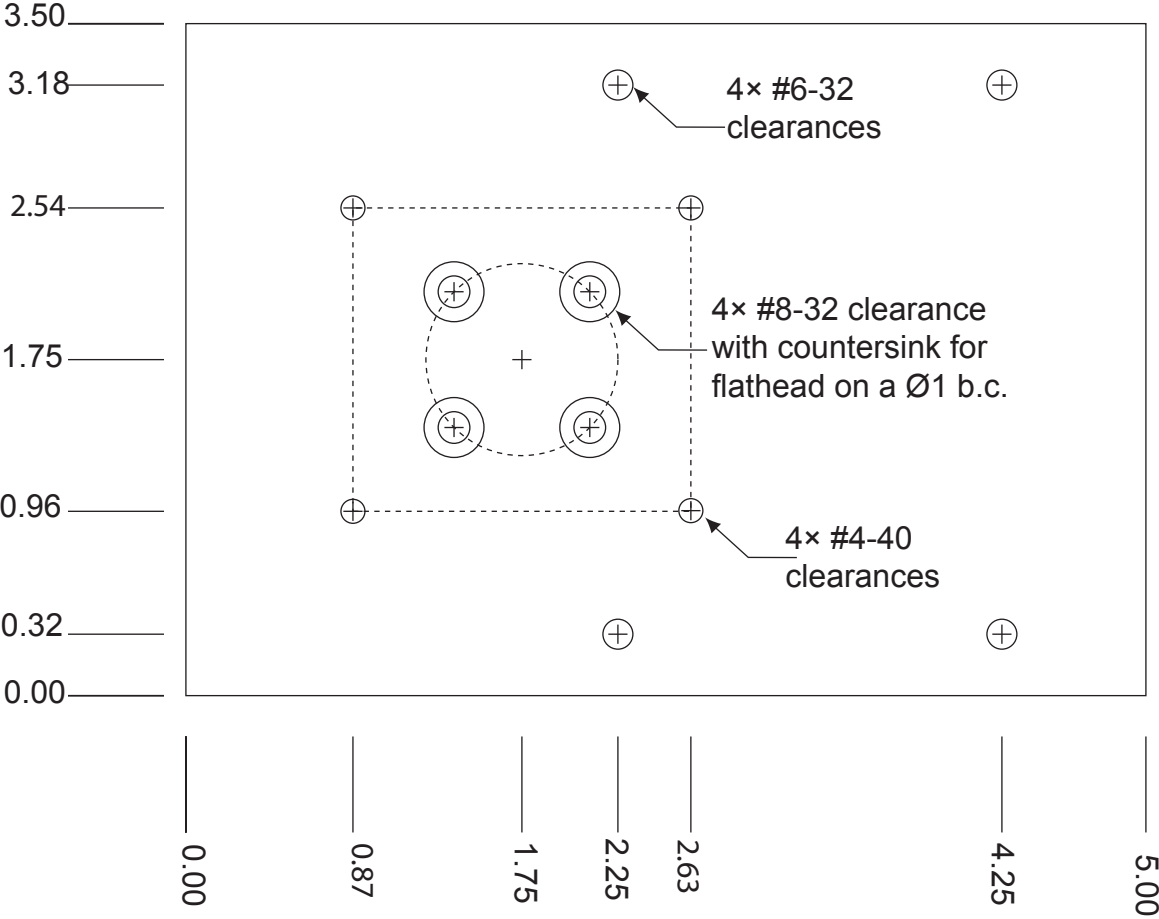
Headstage flange-mount post



MATERIAL: Ø1.5 ALUMINUM ROD
SCALE: 1"=1"

442

HEADSTAGE MOUNTING PLATE



MATERIAL: 1/4" ALUMINUM PLATE
SCALE: 1"=1"